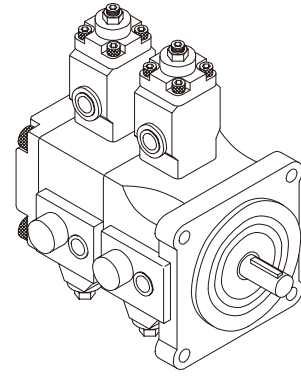
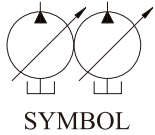


VPKCCF23.23
VPKCCF26.26
VPKCCF30.30
VPKCCF40.40



ORDERING CODE 訂購指引

VPKCC- FA*A*-01-A**

Net Weight:16Kg

① ②③④ ⑤ ⑥ ⑦ ⑧

- ① — Series Number
Double Pump
- ② — Flange Type
- ③ — Output Flow
Shaft End Pump at 1800rpm
23,26,30,40 (ℓ/min)
- ④ — Output Flow
Cover End Pump at 1800rpm
23,26,30,40 (ℓ/min)
- ⑤ — Pressure Range
of Shaft End Pump (P1)
1:5-18 2:15-35
3:30-55 4:50-70 (Kgf/cm²)
- ⑥ — Pressure Range
of Cover End Pump (P2)
1:5-18 2:15-35
3:30-55 4:50-70 (Kgf/cm²)
- ⑦ — Shaft Type
- ⑧ — Type of Suction Port & Discharge Port
A or No Marking: PT
B: NPT
C: SAE
D: BSP

VPKCCF30.30

