

# DOUBLE PUMPS

## Shaft end pump model

### PP36-A3-F-R-2A

1 2 3 4 5 6 7

**1** Variable volume piston pump-Double Pump

**2** Geometric displacement  
Shaft end pump(Ref Model Number)

**3** Control options

- A : Pressure compensating type
- B : Remote pressure control type
- D : Solenoid cut-off control type
- E : Two pressure cut-off control type
- HL : Load sensing control type

**4** Pressure adjusting range

- 1 : 20~73 kgf/cm<sup>2</sup>
- 2 : 30~145 kgf/cm<sup>2</sup>
- 3 : 30~215 kgf/cm<sup>2</sup>

**5** Mounting

F: Flange mounting L: Foot mounting

**6** Rotation

R : Clockwise(Viewed from shaft end)

**7** Thru-drive

- 2A:SAE A ø82.55
- 2B:SAE B ø101.6 (PP70+P36/46, PP100+P36/46)

## Cover end pump model

### P16-A3-S

1 2 3

**1** Variable volume piston pump  
(Cover end pump)

**2** Geometric displacement  
Cover end pump(Ref Model Number)

**3** Control options

- A : Pressure compensating type
- B : Remote pressure control type
- D : Solenoid cut-off control type
- E : Two pressure cut-off control type
- HL : Load sensing control type

**4** Pressure adjusting range

- 1 : 20~73 kgf/cm<sup>2</sup>
- 2 : 30~145 kgf/cm<sup>2</sup>
- 3 : 30~215 kgf/cm<sup>2</sup>

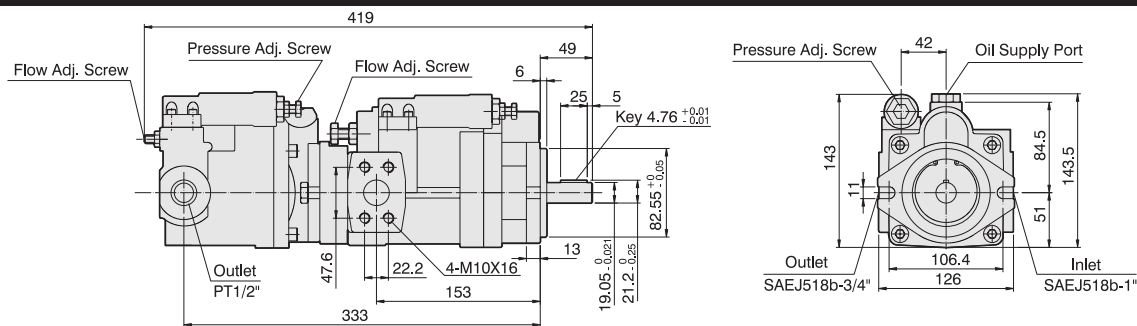
**5** Type of Shaft

- S : SAE A Spline
- K : Cylindric, key (PP70+P36/46, PP100+P36/46)

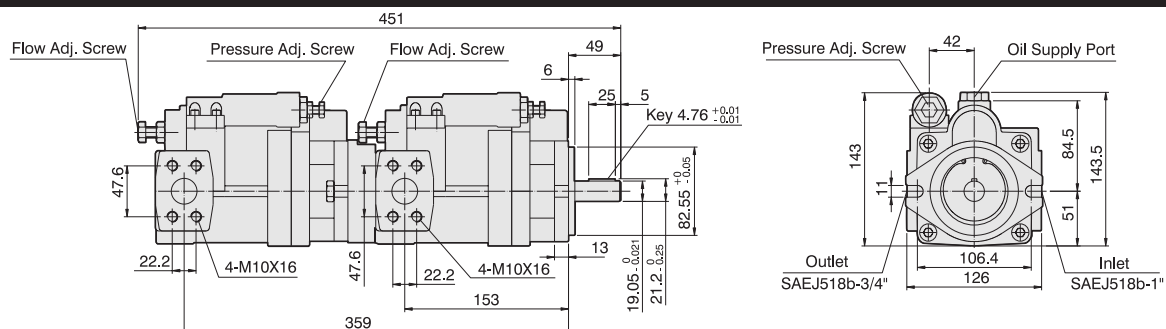
Model number :

Shaft end pump Cover end pump	PP16	PP22	PP36	PP46	PP70	PP100
P08	●	●	●	●	●	●
P16	●	●	●	●	●	●
P22		●	●	●	●	●
P36				●	●	●
P46					●	●

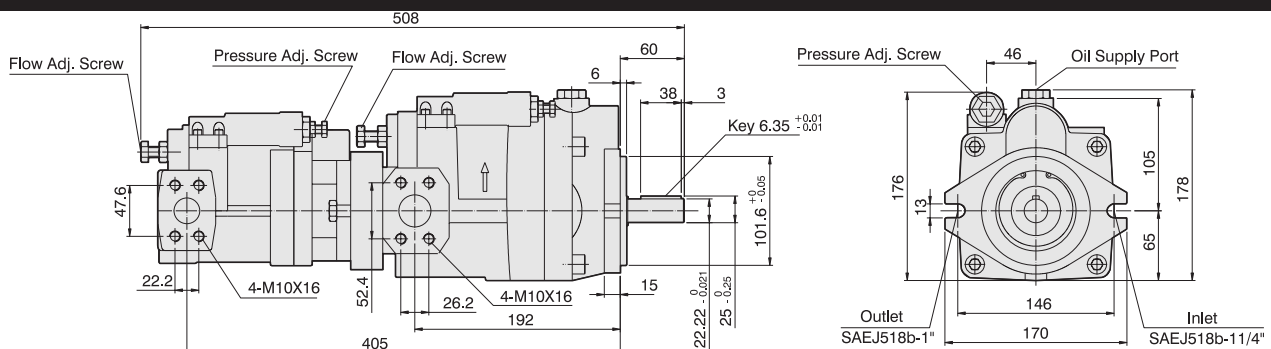
## PP16/22-A\*-F-R-2A+P08-A\*-S



## PP16/22-A\*-F-R-2A+P16/22-A\*-S

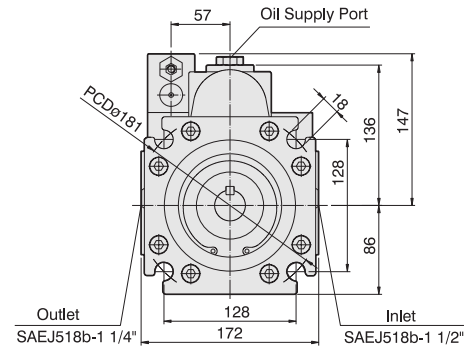
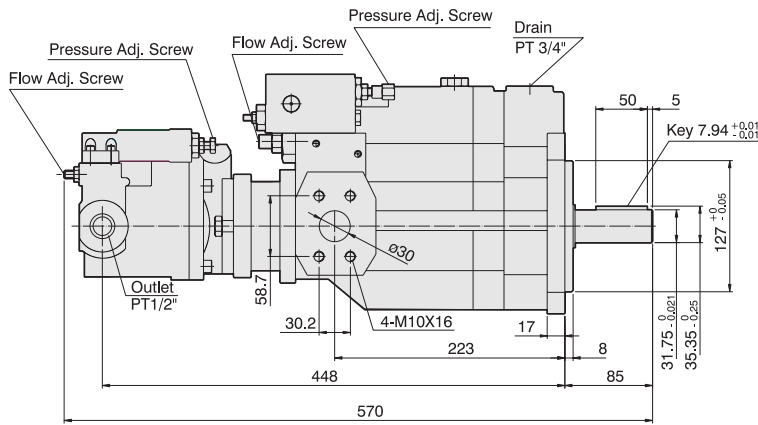


## P36/46-A\*-F-R-2A+P16/22-A\*-S

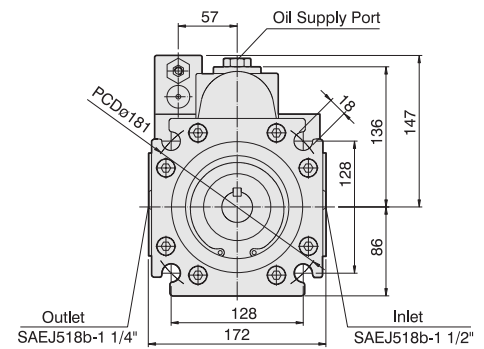
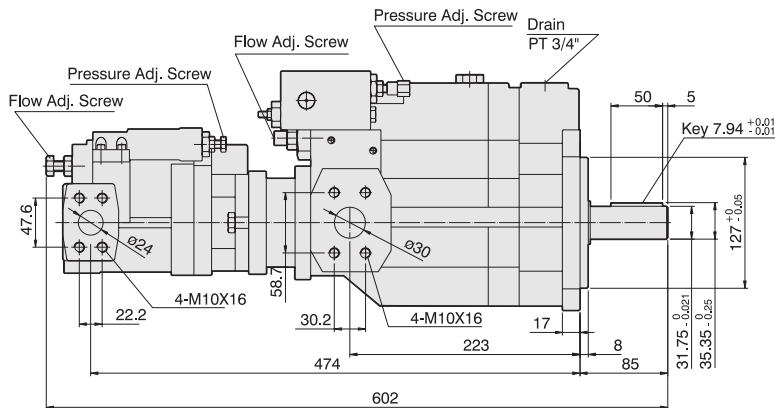


# DOUBLE PUMPS

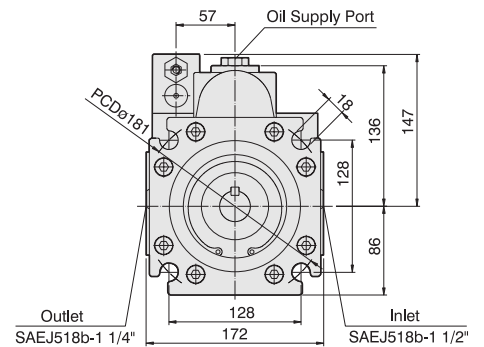
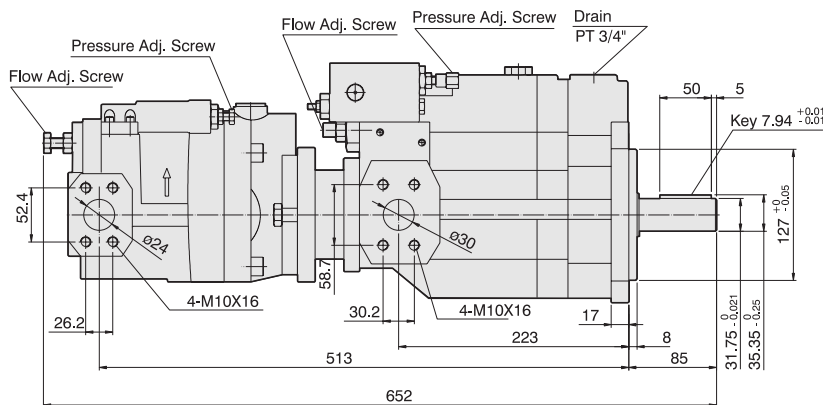
## PP70-A\*-F-R-2A+P08-A\*-S



## PP70-A\*-F-R-2A+P16/22-A\*-S

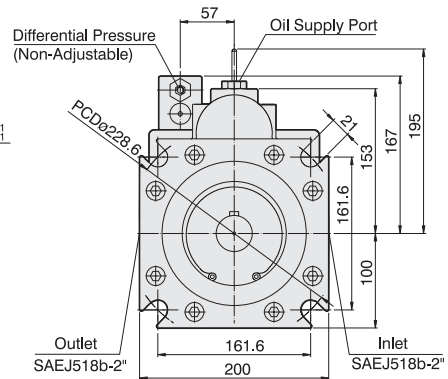
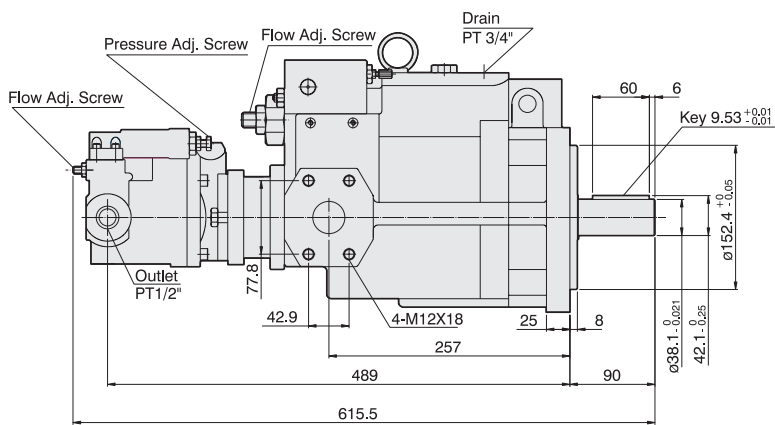


## PP70-A\*-F-R-2B+P36/46-A\*-K

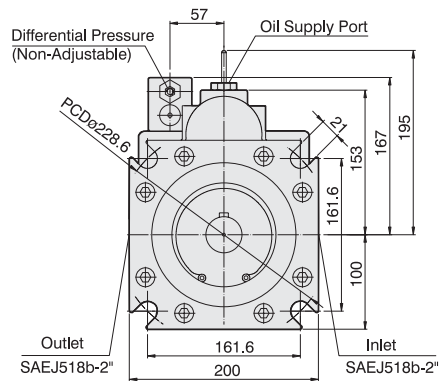
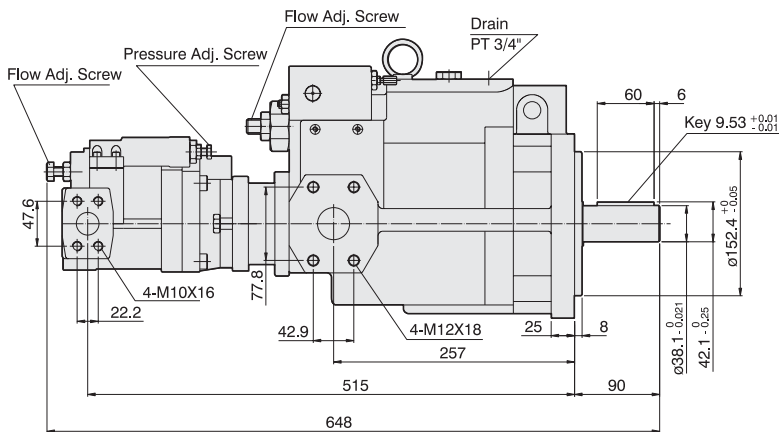


# DOUBLE PUMPS

## PP100-A\*-F-R-2A+P08-A\*-S



## PP100-A\*-F-R-2A+P16/22-A\*-S



## PP100-A\*-F-R-2B+P36/46-A\*-K

