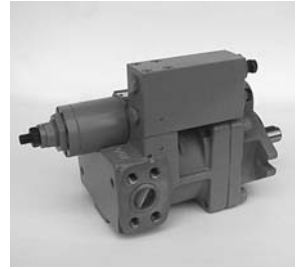


TWO PRESSURE-TWO FLOW CONTROL TYPE

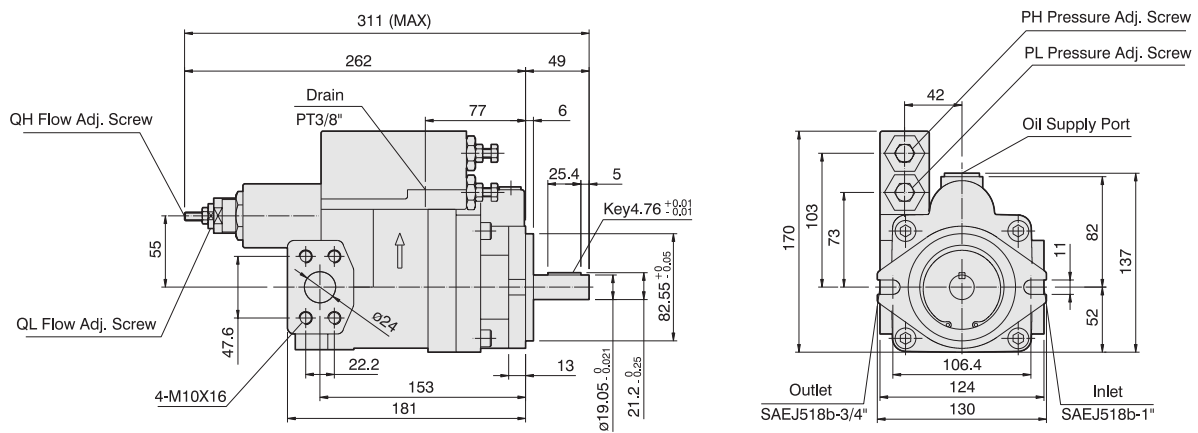
KCL® world-best-pumps
HYDRAULIC EQUIPMENTS

P16-C1 A3-F-R-01

Design code		
Rotation	R : Clockwise(CW)	
Mounting	F : Flange mounting	L : Foot mounting
PH Pressure adj. range	A2 : 30~145kgf/cm ²	A3 : 30~215kgf/cm ²
PL Pressure adj. range	C0 : 20~40kgf/cm ²	C1 : 20~73kgf/cm ²
Displacement	16, 22, 36, 46, (cm ³ /rev)	



P16-C-TYPE / P22-C-TYPE



P36-C-TYPE / P46-C-TYPE

