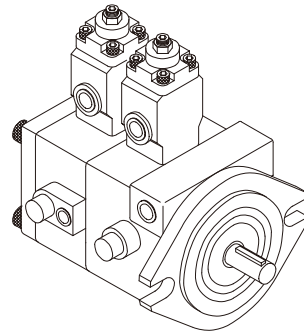
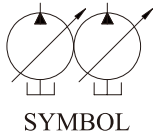


VPKCCF12.12
VPKCCF15.15
VPKCCF20.20



ORDERING CODE 訂購指引

VPKCC- FA*A*-01-A**

①

②③④

⑤

⑥

⑦

⑧

Net Weight:9.5Kg

- ①—— Series Number
Double Pump
- ②—— Flange Type
- ③—— Output Flow
Shaft End Pump at 1800rpm
12,15,20 (ℓ /min)
- ④—— Output Flow
Cover End Pump at 1800rpm
12,15,20 (ℓ /min)
- ⑤—— Pressure Range
of Shaft End Pump (P1)
1:5-18 2:15-35
3:30-55 4:50-70 (Kgf/cm²)
- ⑥—— Pressure Range
of Cover End Pump (P2)
1:5-18 2:15-35
3:30-55 4:50-70 (Kgf/cm²)
- ⑦—— Shaft Type
- ⑧—— Type of Suction Port & Discharge Port
A or No Marking: PT
B: NPT
C: SAE
D: BSP

VPKCCF2020

