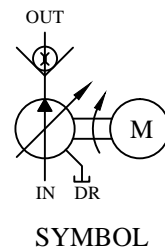
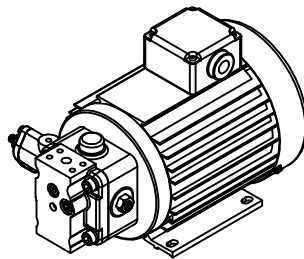


KUVN-8  
KUVN-12  
KUVN-16  
KUVN-21



## FEATURES 特點

- \*.Energy efficient high performance up 30~40% (高效高性能)
- \*.Lightweight, compact design (重量輕，結構緊湊)
- \*.Low noise, long life (噪音低，壽命長)
- \* Low heat generation, low temperature rise (低發熱，低溫升)

Model	Capacity (cm <sup>3</sup> /rev)	Operating Pressure Mpa (kgf/cm <sup>2</sup> )	No-load discharge Rate (L/min)		Input power (HP)	Net Weight (Kg)
			50HZ	60HZ		
KUVN-8-A(B)-2- * -4-A-10	8	1.5~ 4.0(15.3~40.8)	12	14.4	1~2	1HP:22 2HP:29 3HP:38.5 5HP:45
KUVN-8-A(B)-3- * -4-A-10		3.5~ 6.0 (35.7~61.2)				
KUVN-8-A(B)-4- * -4-A-10		5.5~ 8.0 (56.1~81.6)				
KUVN-12-A(B)-2- * -4-A-10	12	1.5~ 4.0(15.3~40.8)	18	21.6	1~2	
KUVN-12-A(B)-3- * -4-A-10		3.5~ 6.0 (35.7~61.2)			2~3	
KUVN-12-A(B)-4- * -4-A-10		5.5~ 8.0 (56.1~81.6)			2~3	
KUVN-16-A(B)-2- * -4-A-10	16	1.5~ 4.0(15.3~40.8)	24	28.8	1~2	
KUVN-16-A(B)-3- * -4-A-10		3.5~ 6.0 (35.7~61.2)			2~3	
KUVN-16-A(B)-4- * -4-A-10		5.5~ 8.0 (56.1~81.6)			3~5	
KUVN-21-A(B)-2- * -4-A-10	21	1.5~ 4.0(15.3~40.8)	31.5	37.8	2~3	
KUVN-21-A(B)-3- * -4-A-10		3.5~ 6.0 (35.7~61.2)			3~5	
KUVN-21-A(B)-4- * -4-A-10		5.5~ 8.0 (56.1~81.6)			3~5	

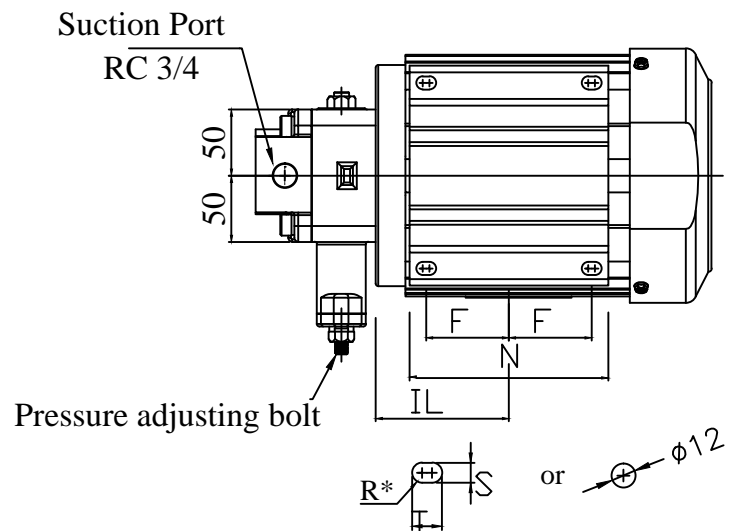
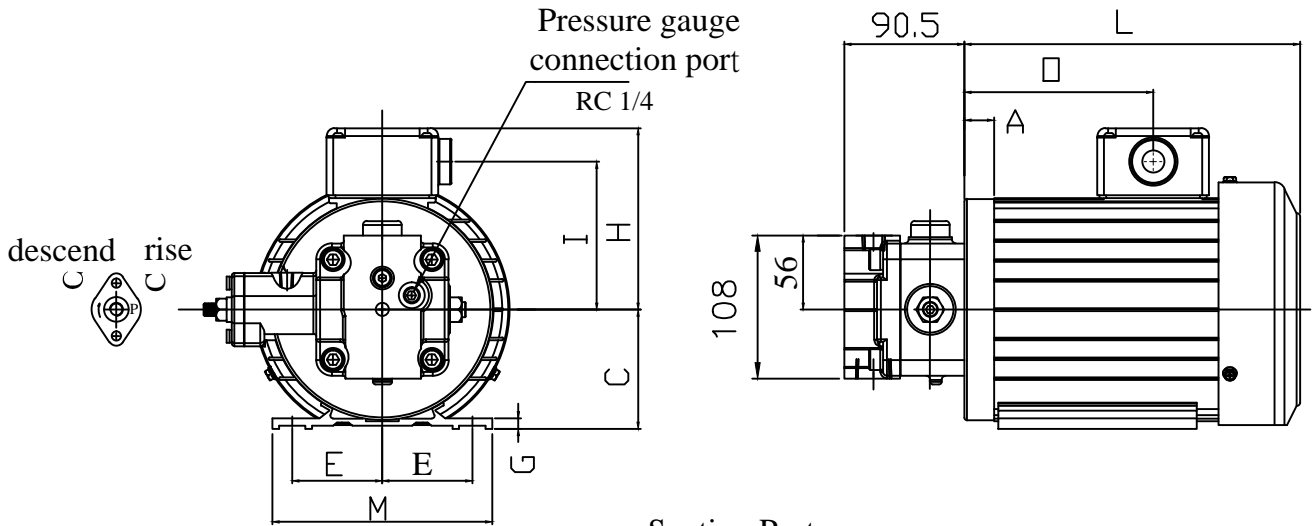
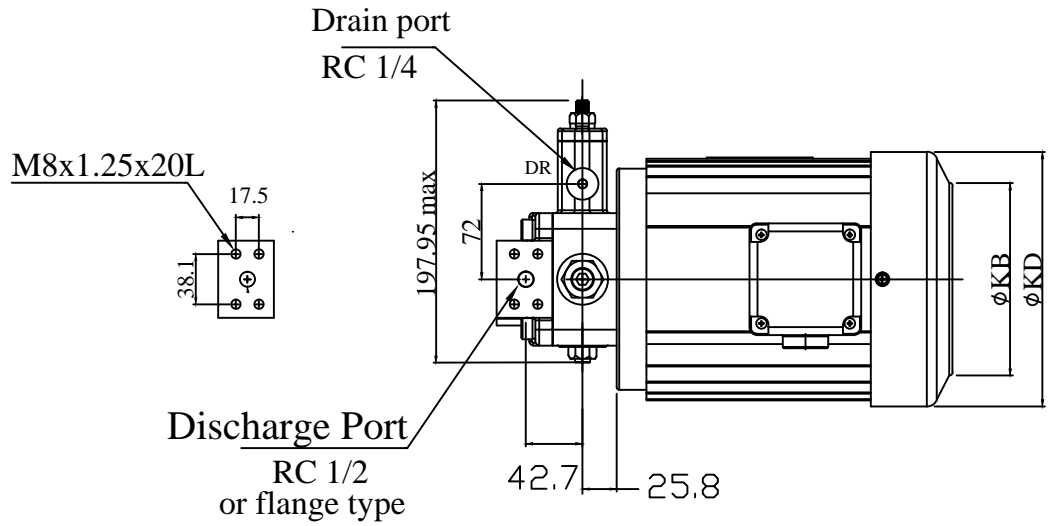
## ORDERING CODE 訂購指引

**KUVN - 8 - A - 3 - 1 - 22 - 1 - 4 - A**

①      ②      ③      ④      ⑤      ⑥      ⑦      ⑧      ⑨

- |   |  |
|---|--|
| <p>① KUVN Series Uni-pump</p> <p>② Displacement (cm<sup>3</sup>/rev) : 8 , 12 , 16 , 21</p> <p>③ <b>A</b> : Motor-side leak-proof (馬達端防漏型)<br/><b>B</b> : Pump-side leak-proof (泵軸端防漏型)</p> <p>④ Pressure adjustment range<br/><b>2</b> : 15 ~ 40 ( Kgf/cm<sup>2</sup> )<br/><b>3</b> : 35 ~ 61 ( Kgf/cm<sup>2</sup> )<br/><b>4</b> : 56 ~ 80 ( Kgf/cm<sup>2</sup> )</p> <p>⑤ Shaft Type<br/><b>1</b> : 方形鍵      <b>3</b> : Spline<br/><b>2</b> : 一字鍵<br/>* 參見 <b>KVDN</b> 外形尺寸說明</p> | <p>⑥ Motor voltage (volt)<br/><b>22</b> : AC-220 V    <b>44</b> : AC-440 V<br/><b>38</b> : AC-380 V</p> <p>⑦ Motor output (Kw)<br/><b>1</b> : 0.75 kw<br/><b>2</b> : 1.5 kw<br/><b>3</b> : 2.2 kw</p> <p>⑧ Number of motor poles 4p</p> <p>⑨ Type of Suction Port &amp; Discharge Port<br/>A or No : RC<br/>B: NPT<br/>C: SAE<br/>D: BSP</p> |
|---|--|

KUVN-8  
KUVN-12  
KUVN-16  
KUVN-21



Model No		Motor Dimensions mm (mm)															
		A	C	E	F	G	H	I	L	M	N	O	S x T	IL	$\phi KB$	$\phi KD$	R*/ $\phi$
KUVN*-A*-1-4	1.5 - 4 2HP	23	90	70	62.5	8	135	107	253.5	166	150	143	15 x 10	100.5	$\phi 147$	$\phi 184$	R6
KUVN*-A*-2-4	2.2 - 4 3HP	25	100	80	70	10	147	119	278.5	195	180	155	$\phi 12$	110	$\phi 167$	$\phi 205.4$	$\phi 12$